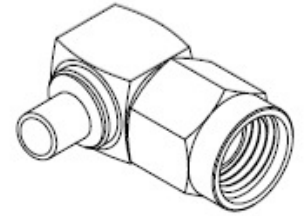
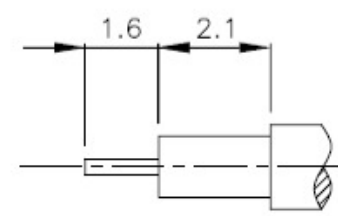
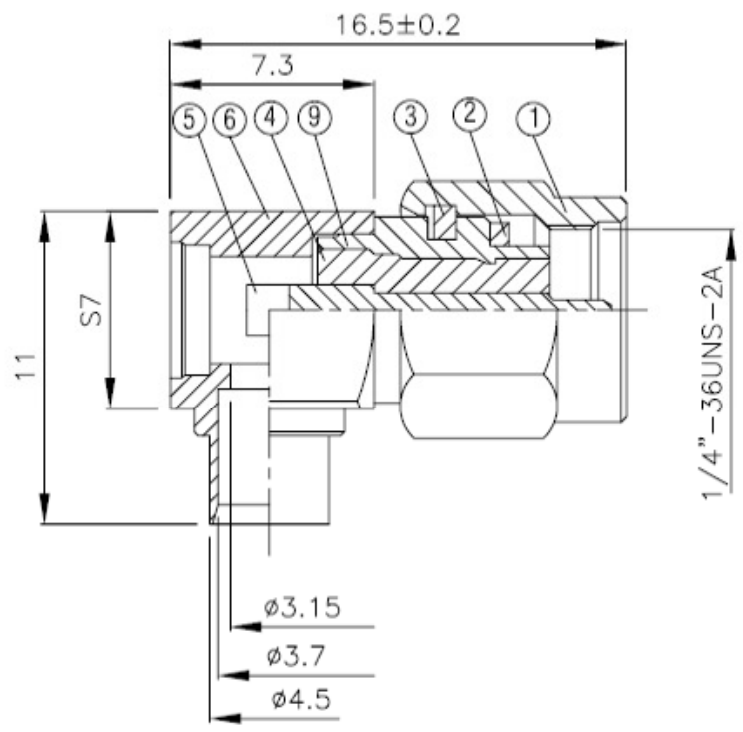
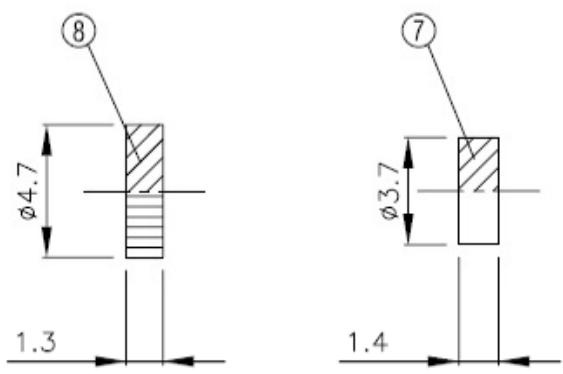


NO	DESCRIPTION	MATERIAL	Q'TY	FINISH	REMARK
1	SHELL	BRASS	1	GOLD	B-SMA0043-G
2	GASKET	SI RUBBER	1	GOLD	RU-0008
3	WASHER	PH.BRONZE	1	GOLD	W-0012-G
4	INSULATION	TEFLON	1	TEFLON	I-0138T
5	PIN	BRASS	1	GOLD	P-SMA0065-G
6	BODY	BRASS	1	GOLD	B-SMA0486-G
7	INSULATION	TEFLON	1	TEFLON	I-0136T
8	WASHER	GOLD	1	GOLD	W-0023-G
9	BODY	BRASS	1	GOLD	B-SMA0154-G



(Recommended Stripping Dimension)



DIMENSIONS ARE IN MILLIMETERS				REVISION	
UNLESS OTHERWISE SPECIFIED TOLERANCE				DESCRIPTION	ENGINEER
0.5-5=±0.2	120-315=±1				
5-30=±0.4	315-1000=±1.6				
30-120=±0.6	1000-2000=±2.4				
SCALE	4:1	SIZE	A		